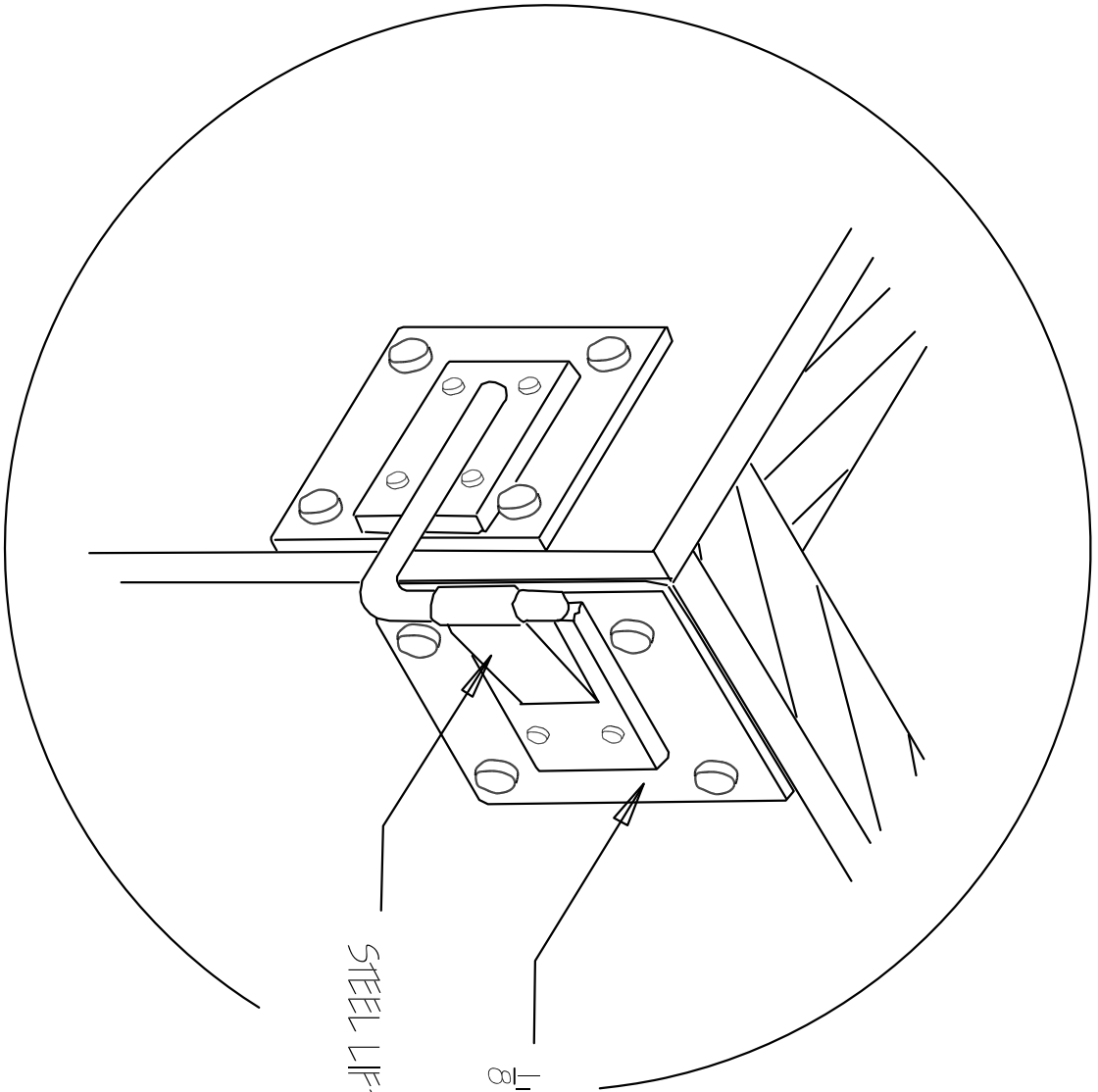


NOTES:

- (1) DRAWING IS NOT TO SCALE - FOR ILLUSTRATION PURPOSES ONLY.
- (2) CHANNEL LINK IS TO BE PLACED ON THE OUTSIDE OF ALL PLYWOOD SECTIONS, INCLUDING THE FRONT.
- (3) THE CHANNEL LINK ON THE SIDES MUST BE CONTINUOUS.
- (4) CHANNEL LINK IS TO BE FULL HEIGHT OF PLYWOOD BUT NOT TO EXCEED IT.
- (5) U-BOLT IS SPACED 3.5 FEET APART ON A 4' X 8' SHEET OF PLYWOOD.

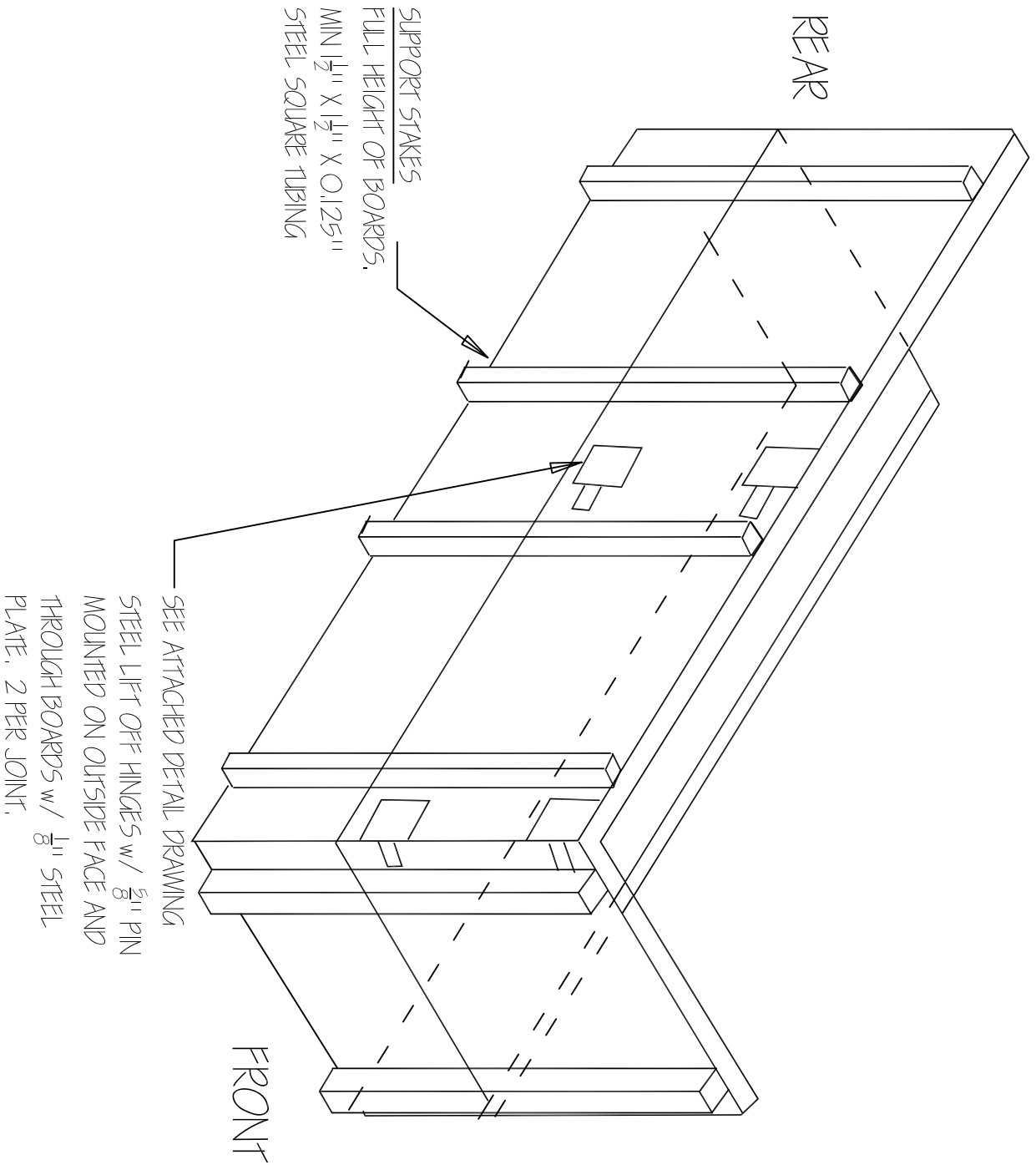




$\frac{1}{8}$ " THICK STEEL PLATE

STEEL LIFT OFF HINGERS W/  $\frac{5}{8}$ " PIN

# CORNER HINGE DETAIL



SEE ATTACHED DETAIL DRAWING  
 STEEL LIFT OFF HINGES w/  $\frac{5}{8}$ " PIN  
 MOUNTED ON OUTSIDE FACE AND  
 THROUGH BOARDS w/  $\frac{1}{8}$ " STEEL  
 PLATE, 2 PER JOINT.